

MVM



VOLUMETRIC ROTARY PISTON METER

MVM is the water meter for applications in the Utilities sector that guarantees maximum accuracy and reliability in all installation conditions. Its extremely low starting flow rate and its wide measuring range allow the accounting of the entire consumption, making it easier to identify leaks. All thanks to the combination of rotary piston technology and the innovative IP68 copper/glass register. Robust, durable, suitable for the most challenging environments and types of installation. It can be equipped with the latest remote data transmission technologies.

METROLOGICAL PERFORMANCE

Size	mm	15	20	25	32	40
	in	½	¾	1	1 ¼	1 ½

Module B no. TCM 142/10-4742

Module D no. 0119-SJ-A010-08

Q₃/Q₁ = R
Referred to installation position

Any ≤ 800

Any ≤ 500

MID standard performance *

Q₃	m³/h	2,5	4	6,3	10	16
Q₄	m³/h	3,13	5	7,88	12,50	20
R		400				
Q₁	l/h	6,25	10	15,75	25	40
Q₂	l/h	10	16	25,20	40	64

* Other values of R available upon request.

TECHNICAL DATA

Maximum permissible error between Q₁ and Q₂ (excluded) +/- 5%

Maximum permissible error between Q₂ (included) and Q₄
+/- 2% with water temperature ≤ 30°C
+/- 3% with water temperature > 30°C

Temperature class T30, T50

Flow profile sensitivity classes U0 - D0

Starting flow rate	l/h	0,5	1	2,5	4,5	7
---------------------------	------------	-----	---	-----	-----	---

Head loss ΔP63

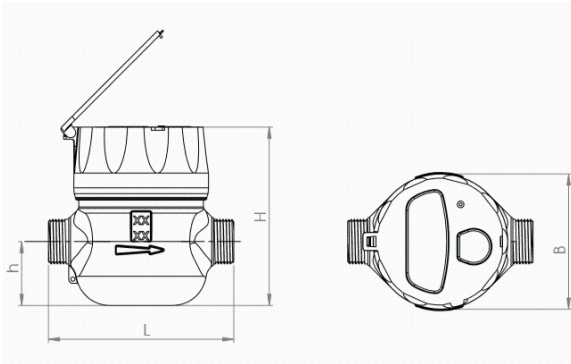
Nominal pressure bar 16

Maximum reading	m³	99.999	999.999	9.999.999
------------------------	----------------------	--------	---------	-----------

Minimum reading	l	0,02
------------------------	----------	------

Indicative weight	kg	0,875	1,230	3,019	4,650	6,480
--------------------------	-----------	-------	-------	-------	-------	-------

DIMENSIONS



Size	mm	15	20	25	32	40
	in	½	¾	1	1 ¼	1 ½
Thread	in	G ¾ B	1 B	G 1 ¼ B	G 1 ½ B	G 2 B
	mm	105/110/115/ 142/145/165/ 170	130/190	260	260	300
L	mm					
H	mm	106	126	135	166	176
h	mm	37	44	63	77	88
B	mm	89	92	129	150	172

COMMUNICATION MODULES



ARROW^{EVO} 868



ARROW^{WAN} 169



ARROW^{WAN2}



ARROW^{WAN} NB-IoT



FLOWPULSE

For more information on all the accessories available, consult the specific technical data sheets on the website www.maddalena.it