

# ELECTO MVM + C



## ELECTRONIC VOLUMETRIC METER

ElecTo MVM + C is a rotary piston meter for domestic water, featuring an innovative multiprotocol radio electronic register. The composite case is strong, durable, and suitable for the typical installation environments of the utility sector. Its low starting flow rate and its wide measuring range provide excellent consumption accounting. With a large LCD display, it is very easy to read, while providing additional information to both users and operators. ElecTo MVM + C offers the maximum short and long distance data communication flexibility and can be used with both mobile and fixed reading systems.

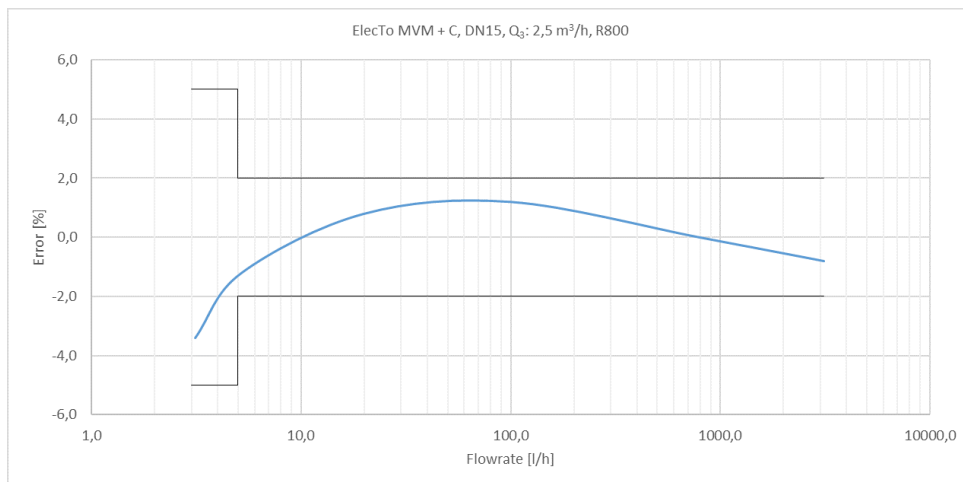
# ELECTO MVM + C

## FEATURES

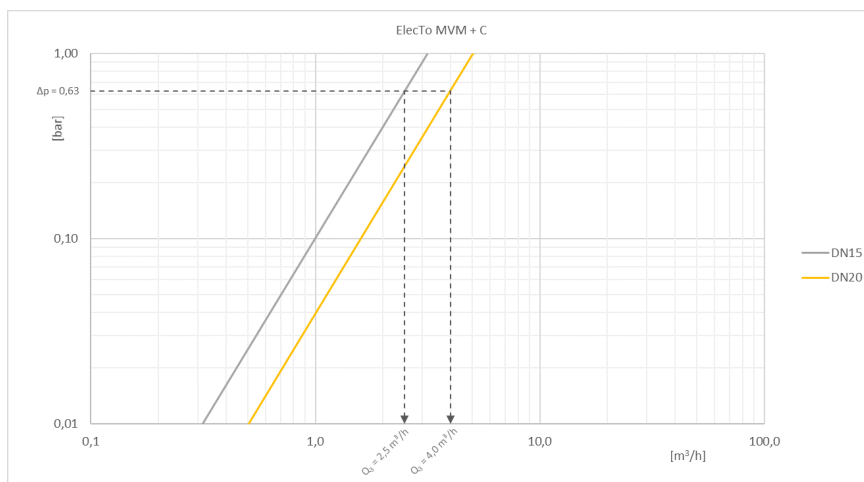
- Volumetric rotary piston meter
- DN: 15 to 20
- MID: R MAX 800
- Health certifications available for a number of countries
- Rotating register with IP68 rating
- Datalogging with a storage capacity of over 11,000 values
- Integrated wM-Bus, OMS and/or LoRaWAN radio
- Optimized antenna for maximum radio range
- Lithium battery with a minimum life of 13 years in dual mode (varies depending on the configuration chosen)
- Fault detection: probable leak, overconsumption, reverse flow, blocked meter and reversed meter
- Programming and testing kit available upon request



## TYPICAL ERROR CURVE



## HEAD LOSS DIAGRAM



## METROLOGICAL PERFORMANCE

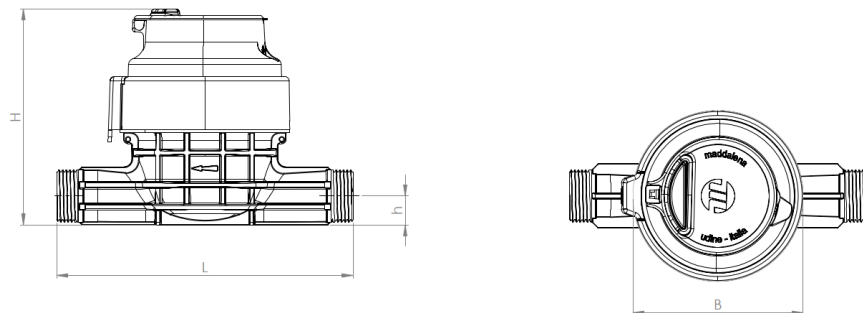
|   |                   |                   |    |
|---|-------------------|-------------------|----|
| Size  | mm                | 15                | 20 |
|   | in                | ½                 | ¾  |
| Module B no.  |                   | TCM 142/14 – 5200 |    |
| Module D no.  |                   | 0119-SJ-A010-08   |    |
| Q <sub>3</sub> /Q <sub>1</sub> = R<br>Referred to installation position |                   | Any ≤ 800         |    |
| MID standard performance *  |                   |                   |    |
| Q <sub>3</sub>  | m <sup>3</sup> /h | 2,5               | 4  |
| Q <sub>4</sub>  | m <sup>3</sup> /h | 3,13              | 5  |
| <b>R</b>  |                   | <b>400</b>        |    |
| Q <sub>1</sub>  | l/h               | 6,25              | 10 |
| Q <sub>2</sub>  | l/h               | 10                | 16 |

\* Other values of R available upon request.

## TECHNICAL DATA

|   |                |  |     |
|---|----------------|--|-----|
| Maximum permissible error<br>between Q <sub>1</sub> and Q <sub>2</sub> (excluded) |                | +/- 5%   |     |
| Maximum permissible error<br>between Q <sub>2</sub> (included) and Q <sub>4</sub> |                | +/- 2% with water temperature ≤ 30°C<br>+/- 3% with water temperature > 30°C |     |
| Temperature class   |                | T30, T50   |     |
| Flow profile sensitivity classes  |                | U0 – D0  |     |
| Starting flow rate  | l/h            | 0,5  | 1   |
| Head loss   |                | ΔP63   |     |
| Nominal pressure  | bar            | 16   |     |
| Maximum reading   | m <sup>3</sup> | 999.999  |     |
| Minimum reading   | l              | 1  |     |
| Indicative weight   | kg             | 0,450  | 0,9 |

## DIMENSIONS



|        |    |                     |             |
|--------|----|---------------------|-------------|
| Size   | mm | 15                  | 20          |
|        | in | ½                   | ¾           |
| Thread | in | G ¾ B               | G 1 B       |
| L      | mm | 110/115/145/165/170 | 165/190/198 |
| H      | mm | 126                 | 138,5       |
| h      | mm | 16                  | 20          |
| B      | mm | 94                  | 108         |

## COMMUNICATION MODULES



MULTI



For more information on all the accessories available, consult the specific technical data sheets on the website [www.maddalena.it](http://www.maddalena.it)